



Installation Guidelines

Fixing

It is vital when fitting Corolite to make sufficient allowance for thermal movement. Note that sheet lengths have to be limited so that excessive thermal movement does not make end laps unweatherable, or hole diameter requirements so large that the sheet is not secure under the washer. Sheet side laps should always be laid away from the prevailing wind.

As Corolite is a relatively flexible material, it is always necessary to check that sheet covering width is accurately maintained as the sheets are being laid.

Holes for primary fixings should be drilled oversize, 6mm larger than the fixing shank diameter for sheet lengths up to 2m, and an additional 3mm per metre length thereafter.

Primary fixings should normally have a minimum 29mm diameter washer: the fixing shank must be perpendicular to the sheet surface: tighten correctly for effective sealing: avoid over tightening which will prevent thermal movement: use caps on fixings to prevent possible leakage down shank. A bead of transparent neutral curing silicone applied under the washer before fixing aids sealing.

Primary fixings should normally be located in profile valleys: however where profile geometry is restrictive or roof pitches shallow - less than 10° - and exposed, crown fixing can at times be considered but firm support of the profile under the fixing is necessary. Wide valley profiles require two fixings per valley located close to the corrugations.

Never locate a primary fixing closer than 50mm to the end of a sheet. Secondary fixings secure and seal side laps of Corolite sheets to each other or secure and seal the Corolite sheet where it laps with a metal sheet.

Laps between Corolite sheets and where Corolite underlaps metal should be stitched with fixings of the expanding rubber grommet type. A stitching screw to metal can be used where the Corolite overlaps a metal sheet. Holes for these fixings must accommodate thermal movement.

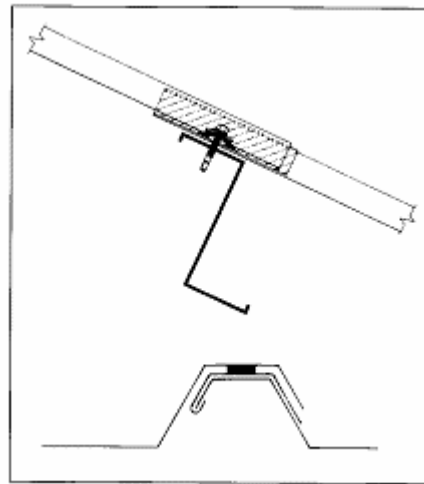
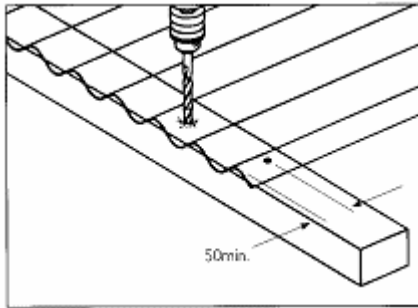
Secondary fixings should be placed at 380mm maximum centres - or as close as 300mm where roofs are exposed or roof pitches shallow.

Note that all rubber fixings and washers must be assessed for compatibility with polycarbonate sheet. EPDM is generally suitable.

For effective weather-tightness, side and end laps must always be sealed. Typical lap details and sealant positioning are shown in diagrams

Lap sealants must be compatible with polycarbonate e.g. Cellux/Sellotape IDL 0310 tape.

COROLITE INSTALLATION



Roof slopes should be a minimum of 5° to ensure rainwater runoff.

Cutting

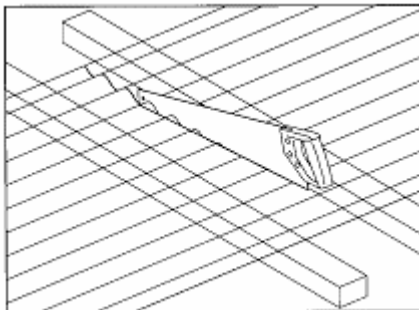
Corolite can be cut satisfactorily with a variety of tools:

A fine tooth hand saw; hold the saw at a shallow angle and cut with slow steady strokes.

A jig saw fitted with a metal cutting blade.

A band saw fitted with a high speed metal cutting blade.

A circular saw fitted with a diamond grit blade.



The sheet should be supported throughout to avoid stress and vibration when cutting.

Drilling

Hand or power drills can be used. Metal drill bits are suitable for drilling Corolite and the sheet should be supported under the area where it is being drilled to avoid stress and vibration.

Maximum Support Centres

Maximum support centres for Corolite is 762mm.